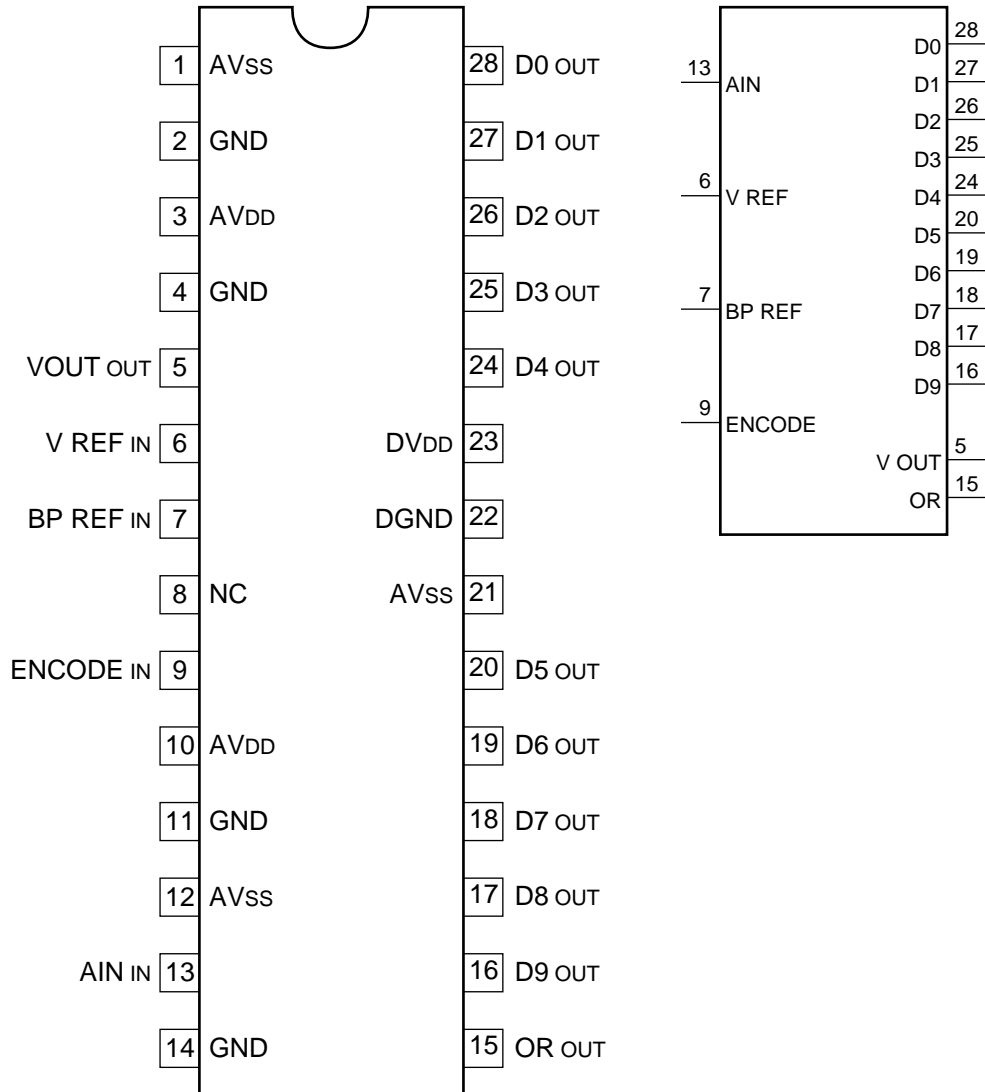


C-MOS 10-BIT 40 MSPS ANALOG-TO-DIGITAL CONVERTER

—TOP VIEW—

**INPUT**

AIN : ANALOG SIGNAL
 BP REF : EXTERNAL CONNECTION FOR REFERENCE BYPASS CAPACITOR
 ENCODE : ENCODE CLOCK
 V REF : VOLTAGE REFERENCE FOR ADC

OUTPUT

D0 - D9 : DIGITAL OUTPUT BITS OF ADC
 OR : OUT OF RANGE CONDITION
 V OUT : INTERNAL BANDGAP VOLTAGE REFERENCE (NOMINALLY +2.5 V)

INPUT AIN	VOLTAGE LEVEL	OUTPUTS										
		OR	D9 (MSB) to D0 (LSB)									
+1.002 V	POS. FULL SCALE +1 LSB	1	1	1	1	1	1	1	1	1	1	1
+1 V	POSITIVE FULL SCALE	0	1	1	1	1	1	1	1	1	1	1
	FULL SCALE -1 LSB	0	1	1	1	1	1	1	1	1	1	0
+1/2 V	POSITIVE 1/2 SCALE	0	1	1	0	0	0	0	0	0	0	0
	1/2 SCALE -1 LSB	0	1	0	1	1	1	1	1	1	1	1
0 V	BIPOLAR ZERO	0	1	0	0	0	0	0	0	0	0	0
		0	0	1	1	1	1	1	1	1	1	1
-1/2 V	1/2 SCALE +1 LSB	0	0	1	0	0	0	0	0	0	0	0
	NEGATIVE 1/2 SCALE	0	0	0	1	1	1	1	1	1	1	1
-1 V	FULL SCALE +1 LSB	0	0	0	0	0	0	0	0	0	0	1
	NEGATIVE FULL SCALE	0	0	0	0	0	0	0	0	0	0	0
-1.002 V	NEG. FULL SCALE -1 LSB	1	0	0	0	0	0	0	0	0	0	0

0 : LOW LEVEL
1 : HIGH LEVEL

